

MFZ-KT R32

Floor Mounted System

Inverter Heat Pump

Mseries

The MFZ-KT series is extremely versatile and is designed for wall attached installation at floor level.

The auto swing vane provides a more natural and comfortable airflow throughout the room and the lightweight, compact design makes installation easy. To aid control and energy saving, the controller has an inbuilt 7 day timeclock.

R32

Key Features & Benefits:

- Simple flat asymmetrical design that harmonises with all types of interiors
- Swing vane mode with autovane shutter
- Optimum air distribution through the use of three uniquely shaped vanes



Air Conditioning Product Information

MFZ-KT R32 Floor Mounted System Inverter Heat Pump

R32

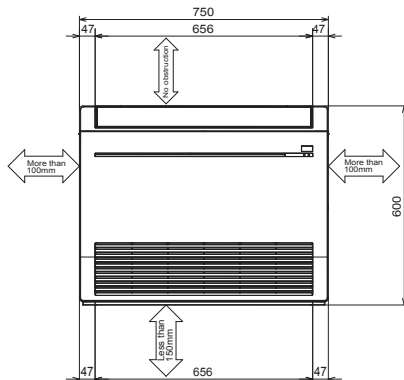


MFZ-KT INDOOR UNITS		MFZ-KT25VG	MFZ-KT35VG	MFZ-KT50VG
CAPACITY (kW)	Heating (nominal)	3.4 (1.3-4.2)	4.3 (1.1-5.0)	6.0 (1.5-7.2)
	Cooling (nominal)	2.5 (1.6-3.2)	3.5 (0.9-3.9)	5.0 (1.2-5.6)
	Heating (UK)	2.79 (1.07-3.44)	3.53 (0.9-4.10)	4.92 (1.23-5.90)
	Cooling (UK)	2.45 (1.57-3.14)	3.43 (0.88-3.82)	4.90 (1.18-5.49)
	SHF (nominal)	0.79	0.70	0.72
COP / EER (nominal)		3.74 / 4.03	3.41 / 3.30	3.23 / 3.23
SCOP / SEER (BS EN14825)		4.2 / 6.5	4.4 / 6.6	4.2 / 6.8
ErP ENERGY EFFICIENCY CLASS		A+ / A++	A+ / A++	A+ / A++
AIRFLOW (l/s)	Heating - Silent-Lo-Mi-Hi-SHi	58-67-93-122-162	58-67-93-122-162	100-128-157-193-233
	Cooling - Silent-Lo-Mi-Hi-SHi	65-80-108-130-148	65-80-108-130-148	93-112-143-173-205
PIPE SIZE mm (in)	Gas	9.52 (3/8")	9.52 (3/8")	12.7 (1/2")
	Liquid	6.35 (1/4")	6.35 (1/4")	6.35 (1/4")
SOUND PRESSURE LEVEL (dBA)		19-23-30-37-44 / 19-24-31-37-41	19-23-30-37-44 / 19-24-31-37-41	29-35-40-44-49 / 28-32-37-42-48
SOUND POWER LEVEL (dBA)		54	54	60
DIMENSIONS (mm)		Width x Depth x Height	750 x 215 x 600	750 x 215 x 600
WEIGHT (kg)		14.5	14.5	15
ELECTRICAL SUPPLY		Fed by Outdoor Unit	Fed by Outdoor Unit	Fed by Outdoor Unit
FUSE RATING (BS88) - HRC (A)		6	6	6
INTERCONNECTING CABLE No. CORES		4	4	4

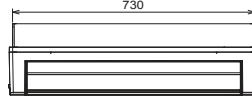
SUZ-M OUTDOOR UNITS		SUZ-M25VAR2	SUZ-M35VAR2	SUZ-M50VAR2	
SOUND PRESSURE LEVEL (dBA)		Heating/Cooling	46 / 45	48 / 48	49 / 48
SOUND POWER LEVEL (dBA)		Cooling	59	59	64
WEIGHT (kg)		30	35	41	
DIMENSIONS (mm)		Width x Depth x Height	800 x 285 x 550	800 x 285 x 550	800 x 285 x 714
ELECTRICAL SUPPLY		220-240V, 50Hz	220-240V, 50Hz	220-240V, 50Hz	
PHASE		Single	Single	Single	
SYSTEM POWER INPUT (kW)	Heating/Cooling (nominal)	0.80 / 0.71	1.07 / 1.00	1.61 / 1.54	
	Heating/Cooling (UK)	0.68 / 0.61	0.91 / 0.86	1.37 / 1.32	
STARTING CURRENT (A)		3.7	5.0	8.0	
SYSTEM RUNNING CURRENT (A)		Heating/Cooling [MAX]	3.7 / 3.0 [6.8]	5.0 / 4.1 [8.5]	8.0 / 7.1 [13.5]
FUSE RATING (BS88) - HRC (A)		10	10	20	
MAINS CABLE No. CORES		3	3	3	
MAX PIPE LENGTH (m)		20	20	30	
MAX HEIGHT DIFFERENCE (m)		12	12	30	
CHARGE REFRIGERANT (kg) / CO ₂ EQUIVALENT (t) - R32 (GWP 675) - 7m		0.65 / 0.44	0.90 / 0.61	1.20 / 0.81	
MAX ADDITIONAL REFRIGERANT (kg) / CO ₂ EQUIVALENT (t) - R32 (GWP 675)		0.26 / 0.1	0.26 / 0.18	0.46 / 0.31	

MFZ-KT25/35/50VG DIMENSIONS

FRONT VIEW



UPPER VIEW



SIDE VIEW

